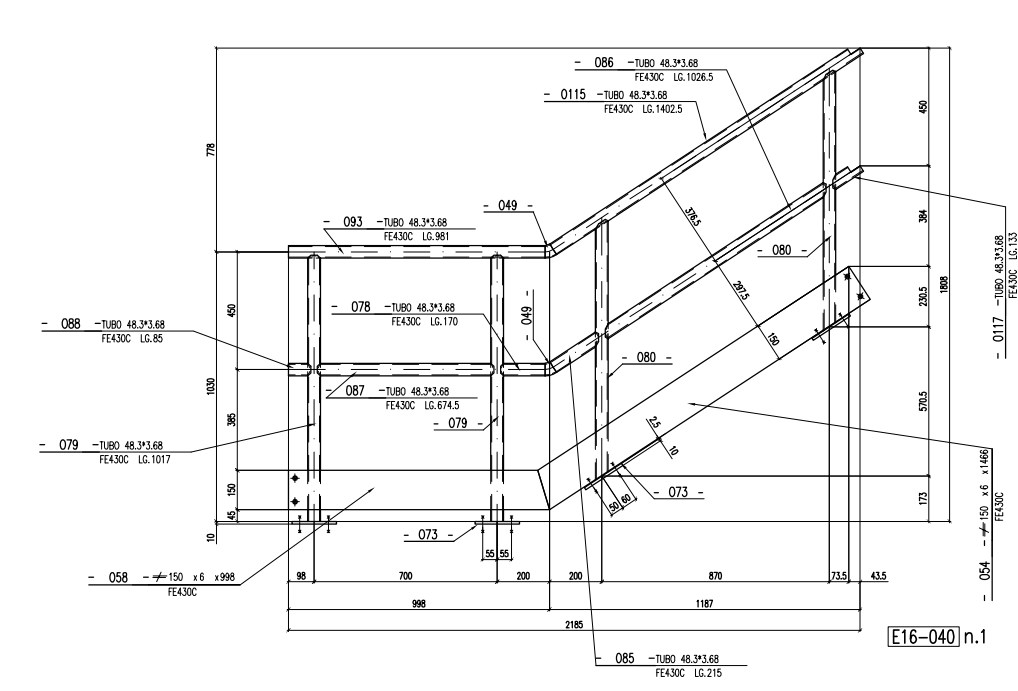


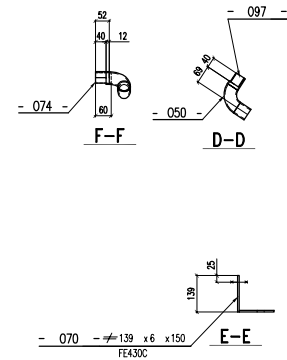
E16-027 n.6



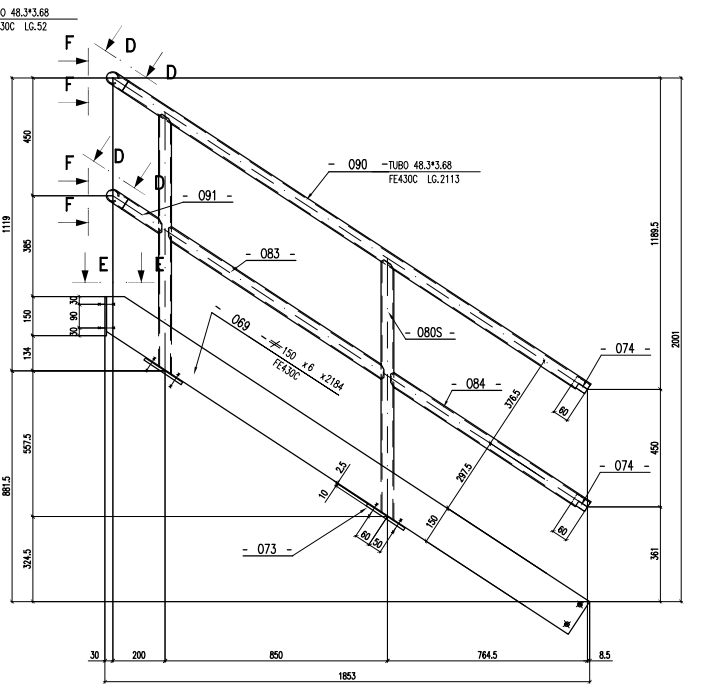
SEZIONE TIPICA



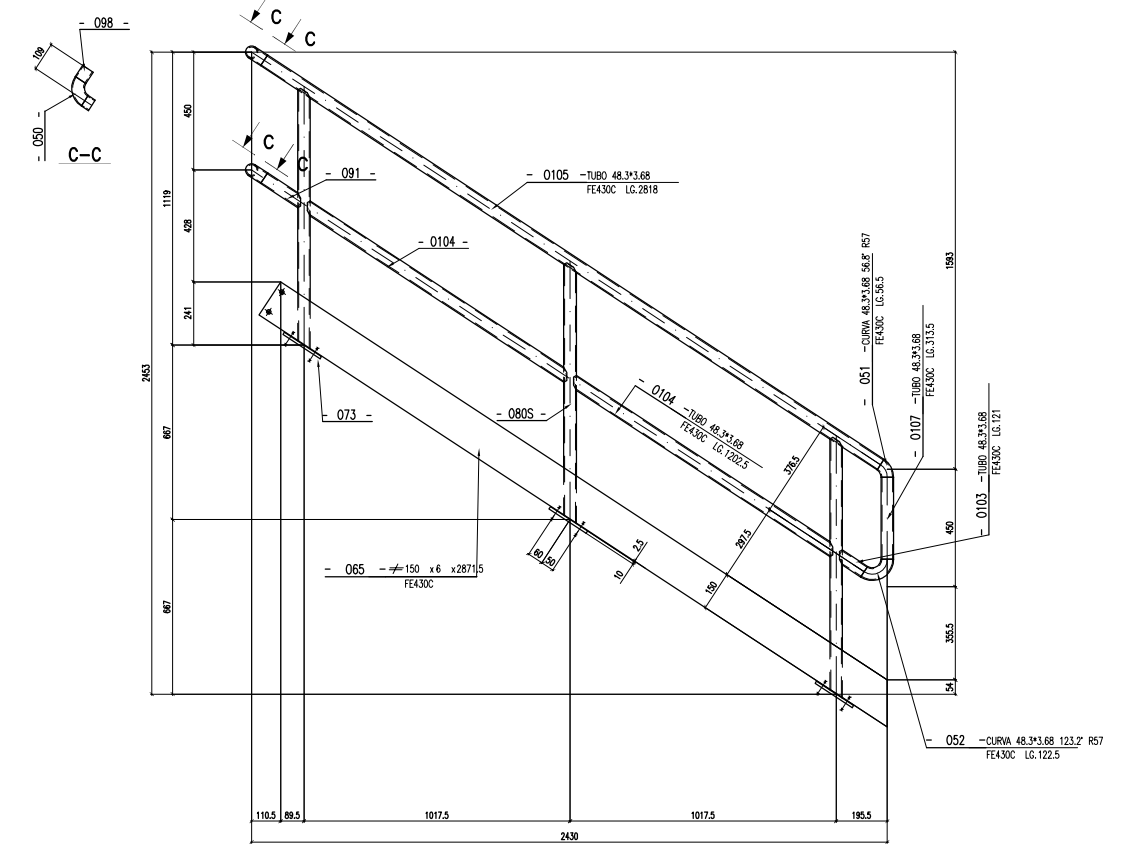
E16-040 n.1



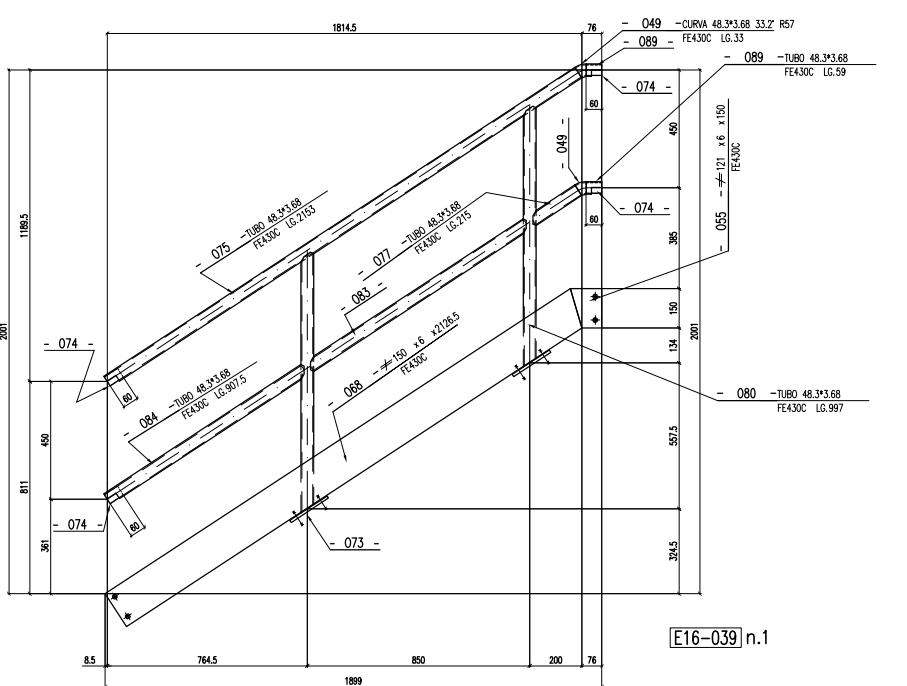
F-F D-D



E16-032 n.1



E16-029 n.1



E16-039 n.1

| N.P.C. | DIMENSION               | WIDTH | LENGTH | POS. | SHOP ASSEMBLY | N.POS. FOR MARK | Wt. in Kg. |       | SUR.  | MAT.  |        |
|--------|-------------------------|-------|--------|------|---------------|-----------------|------------|-------|-------|-------|--------|
|        |                         |       |        |      |               |                 | UNIT       | TOTAL |       |       |        |
| 6      | PARAPETTO               |       |        |      |               | E16-027         |            |       | 73.6  | 441.4 | 25.8   |
| 1      | PARAPETTO               |       |        |      |               | E16-029         |            |       | 59.6  | 59.6  | 3.5    |
| 1      | PARAPETTO               |       |        |      |               | E16-032         |            |       | 45.8  | 45.8  | 2.6    |
| 1      | PARAPETTO               |       |        |      |               | E16-039         |            |       | 45.1  | 45.1  | 2.6    |
| 1      | PARAPETTO               |       |        |      |               | E16-040         |            |       | 35.6  | 35.6  | 3.3    |
| 6      | TUBO 48.3x3.68          |       | 1002.5 | 0101 | 1             |                 |            |       | 3.9   | 23.6  | FE430C |
| 1      | TUBO 48.3x3.68          |       | 121.0  | 0103 | 1             |                 |            |       | 0.4   | 0.4   | FE430C |
| 2      | TUBO 48.3x3.68          |       | 1202.5 | 0104 | 2             |                 |            |       | 4.8   | 9.5   | FE430C |
| 1      | TUBO 48.3x3.68          |       | 2818.0 | 0105 | 1             |                 |            |       | 11.4  | 11.4  | FE430C |
| 1      | TUBO 48.3x3.68          |       | 313.5  | 0107 | 1             |                 |            |       | 1.3   | 1.3   | FE430C |
| 1      | TUBO 48.3x3.68          |       | 1402.5 | 0115 | 1             |                 |            |       | 5.6   | 5.6   | FE430C |
| 1      | TUBO 48.3x3.68          |       | 133.0  | 0117 | 1             |                 |            |       | 0.4   | 0.4   | FE430C |
| 4      | CURVA 48.3x3.68 90° R57 |       | 33.0   | 0149 | 4             |                 |            |       | 0.1   | 0.5   | FE430C |
| 28     | CURVA 48.3x3.68 90° R57 |       | 89.5   | 050  | 28            |                 |            |       | 4.2   | 10.2  | FE430C |
| 1      | TUBO 48.3x3.68 3/4" R57 |       | 36.5   | 051  | 1             |                 |            |       | 0.2   | 0.2   | FE430C |
| 1      | CURVA 48.3x3.68 90° R57 |       | 122.5  | 052  | 1             |                 |            |       | 0.5   | 0.5   | FE430C |
| 1      | PL. 6                   | 150.0 | 1466.0 | 054  | 1             |                 |            |       | 10.2  | 10.2  | FE430C |
| 1      | PL. 6                   | 121.0 | 150.0  | 055  | 1             |                 |            |       | 0.7   | 0.7   | FE430C |
| 1      | PL. 6                   | 150.0 | 998.0  | 058  | 1             |                 |            |       | 6.9   | 6.9   | FE430C |
| 6      | PL. 6                   | 150.0 | 3995.0 | 062  | 6             |                 |            |       | 24.0  | 143.9 | FE430C |
| 1      | PL. 6                   | 150.0 | 2871.5 | 065  | 1             |                 |            |       | 15.9  | 15.9  | FE430C |
| 1      | PL. 6                   | 150.0 | 2195.5 | 068  | 1             |                 |            |       | 14.9  | 14.9  | FE430C |
| 1      | PL. 6                   | 150.0 | 2184.0 | 069  | 1             |                 |            |       | 15.2  | 15.2  | FE430C |
| 1      | PL. 6                   | 139.0 | 150.0  | 070  | 1             |                 |            |       | 1.0   | 1.0   | FE430C |
| 25     | PL. 10                  | 70.0  | 170.0  | 073  | 25            |                 |            |       | 0.9   | 30.7  | FE430C |
| 20     | TORNIO 40               |       | 60.0   | 074  | 20            |                 |            |       | 0.6   | 11.8  | FE430C |
| 1      | TUBO 48.3x3.68          |       | 2153.0 | 075  | 1             |                 |            |       | 8.6   | 8.6   | FE430C |
| 1      | TUBO 48.3x3.68          |       | 215.0  | 077  | 1             |                 |            |       | 0.8   | 0.8   | FE430C |
| 1      | TUBO 48.3x3.68          |       | 170.0  | 078  | 1             |                 |            |       | 0.7   | 0.7   | FE430C |
| 2      | TUBO 48.3x3.68          |       | 1017.0 | 079  | 2             |                 |            |       | 4.1   | 8.2   | FE430C |
| 4      | TUBO 48.3x3.68          |       | 997.0  | 080  | 4             |                 |            |       | 3.9   | 15.7  | FE430C |
| 29     | TUBO 48.3x3.68          |       | 997.0  | 0805 | 29            |                 |            |       | 3.9   | 113.5 | FE430C |
| 8      | TUBO 48.3x3.68          |       | 1002.5 | 083  | 8             |                 |            |       | 3.9   | 31.5  | FE430C |
| 2      | TUBO 48.3x3.68          |       | 907.5  | 084  | 2             |                 |            |       | 3.5   | 7.1   | FE430C |
| 1      | TUBO 48.3x3.68          |       | 215.0  | 085  | 1             |                 |            |       | 0.9   | 0.9   | FE430C |
| 1      | TUBO 48.3x3.68          |       | 170.0  | 078  | 1             |                 |            |       | 0.7   | 0.7   | FE430C |
| 6      | TUBO 48.3x3.68          |       | 1026.5 | 086  | 6             |                 |            |       | 4.0   | 4.0   | FE430C |
| 6      | TUBO 48.3x3.68          |       | 1026.5 | 0865 | 6             |                 |            |       | 4.0   | 24.2  | FE430C |
| 1      | TUBO 48.3x3.68          |       | 674.5  | 087  | 1             |                 |            |       | 2.7   | 2.7   | FE430C |
| 1      | TUBO 48.3x3.68          |       | 85.0   | 088  | 1             |                 |            |       | 0.3   | 0.3   | FE430C |
| 2      | TUBO 48.3x3.68          |       | 59.0   | 089  | 2             |                 |            |       | 0.2   | 0.3   | FE430C |
| 1      | TUBO 48.3x3.68          |       | 2113.0 | 090  | 1             |                 |            |       | 8.5   | 8.5   | FE430C |
| 8      | TUBO 48.3x3.68          |       | 175.0  | 091  | 8             |                 |            |       | 0.7   | 5.2   | FE430C |
| 6      | TUBO 48.3x3.68          |       | 175.0  | 092  | 6             |                 |            |       | 0.7   | 3.9   | FE430C |
| 1      | TUBO 48.3x3.68          |       | 981.0  | 093  | 1             |                 |            |       | 4.0   | 4.0   | FE430C |
| 2      | TUBO 48.3x3.68          |       | 52.0   | 097  | 2             |                 |            |       | 0.1   | 0.3   | FE430C |
| 14     | TUBO 48.3x3.68          |       | 52.0   | 098  | 14            |                 |            |       | 0.2   | 3.0   | FE430C |
| 6      | TUBO 48.3x3.68          |       | 3437.5 | 099  | 6             |                 |            |       | 13.9  | 83.5  | FE430C |
|        |                         |       |        |      |               |                 |            |       | 647.5 | 37.8  |        |

