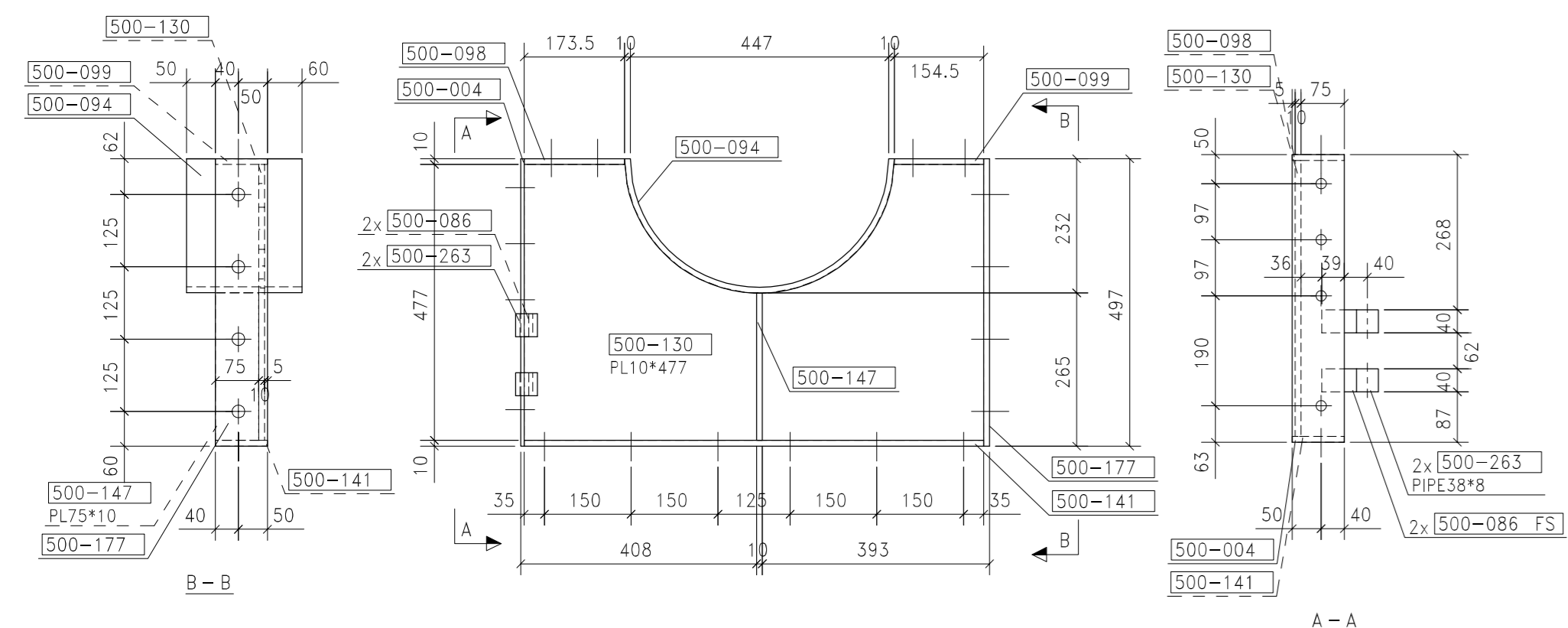
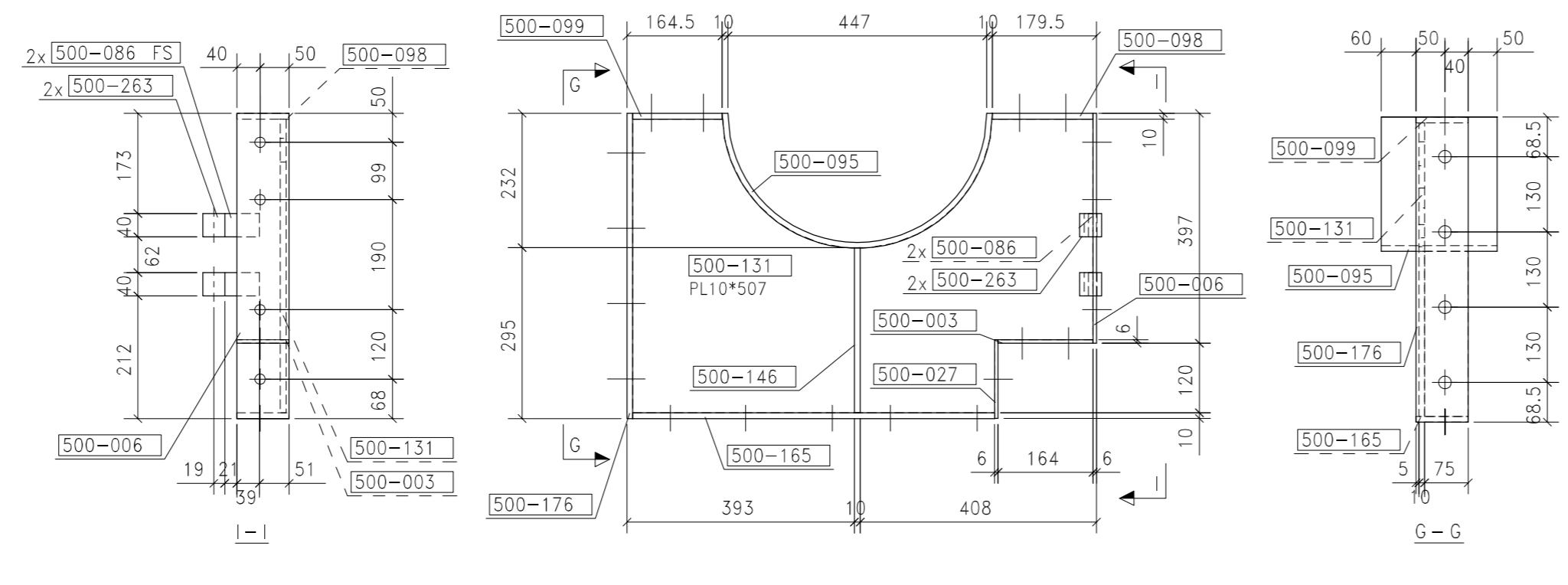


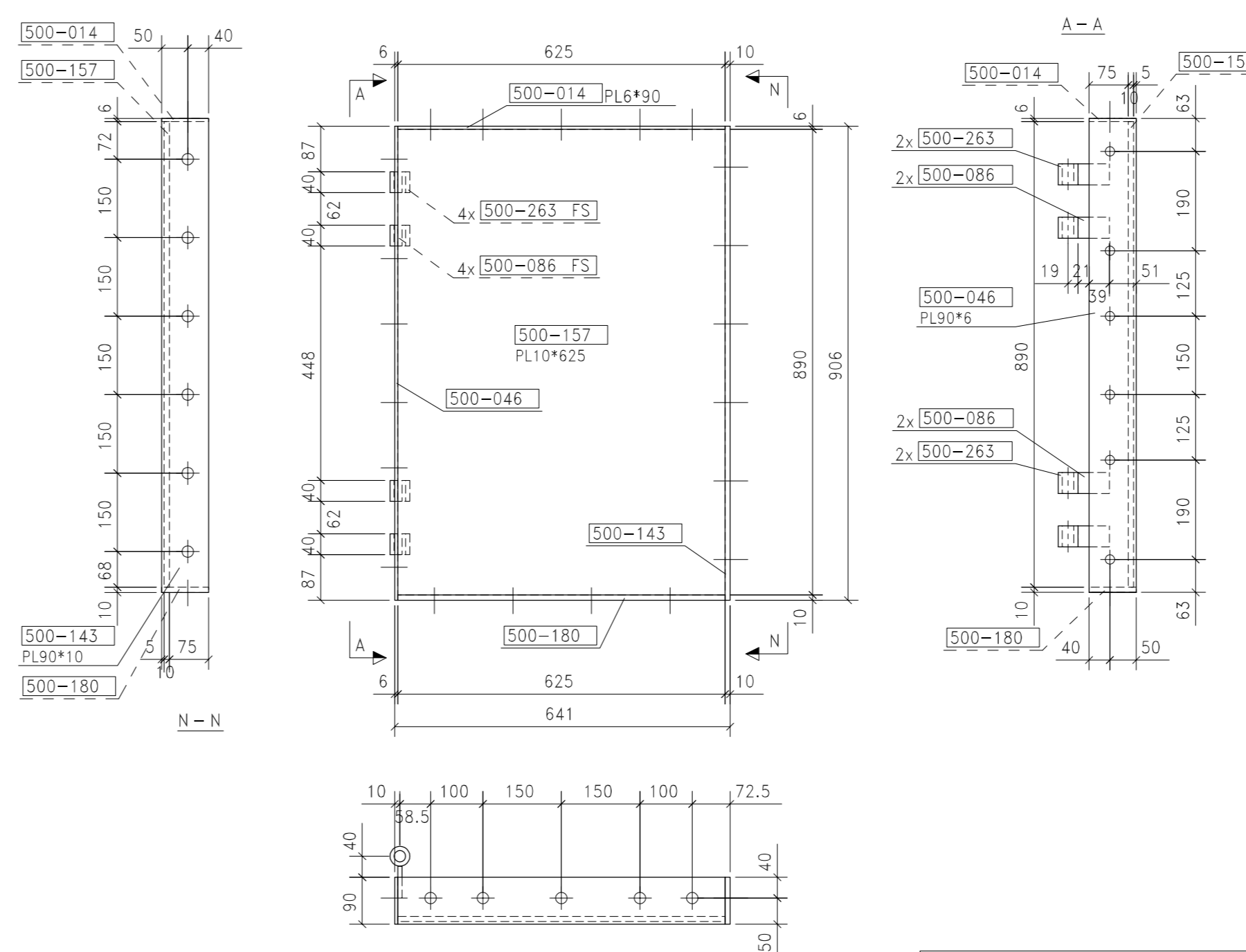
No. 1, Marked MD18



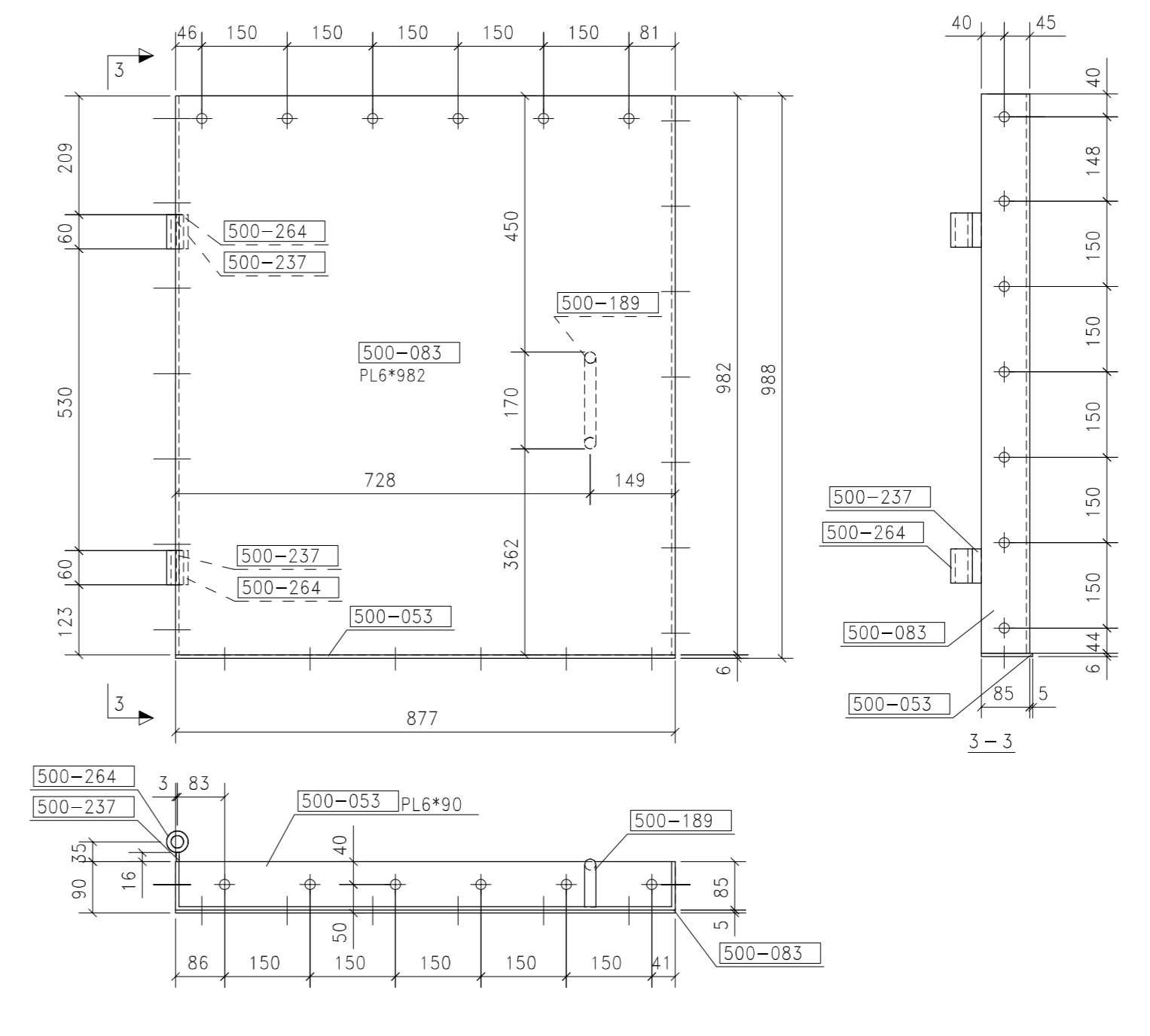
No. 1, Marked MD21



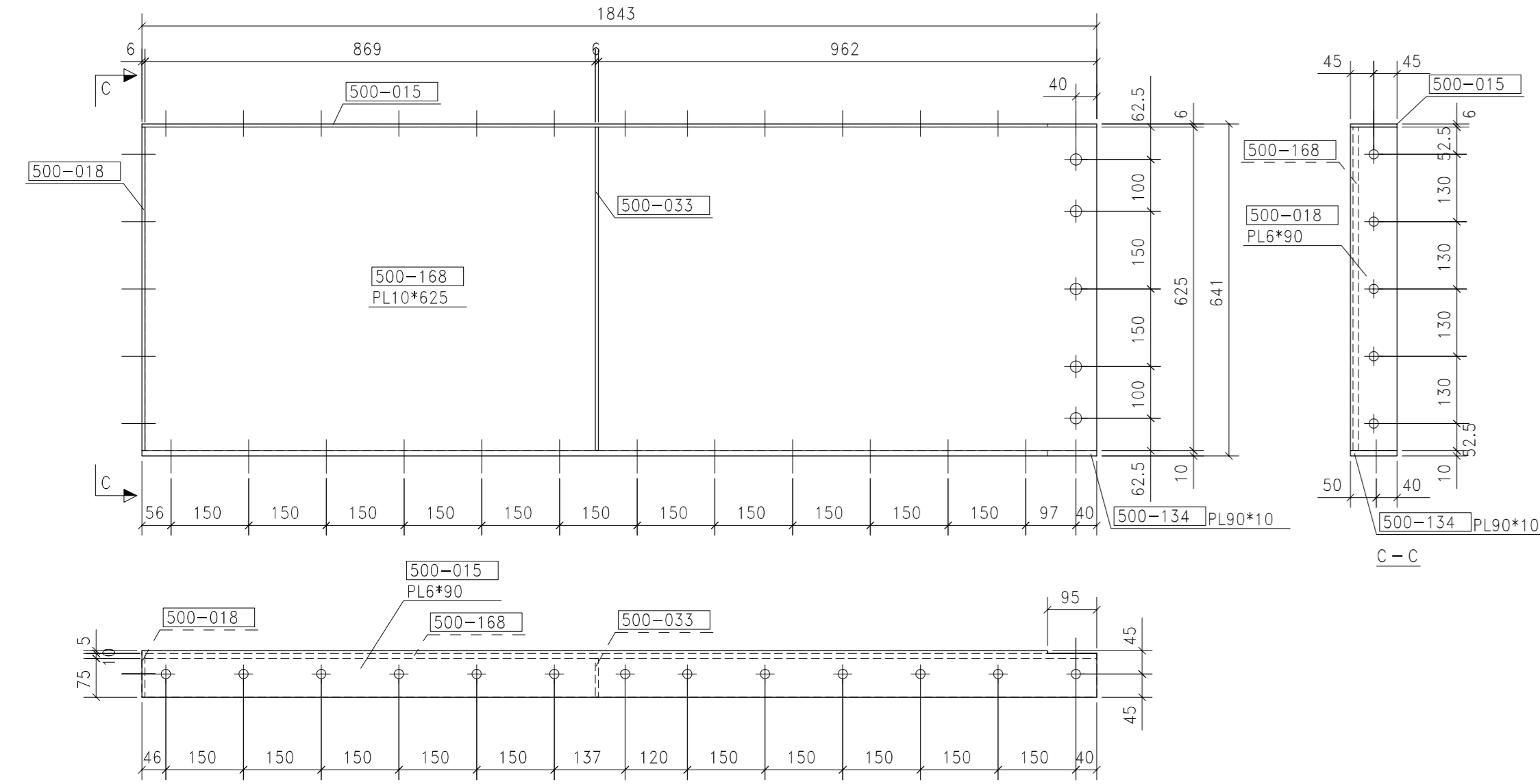
No. 1, Marked MD45



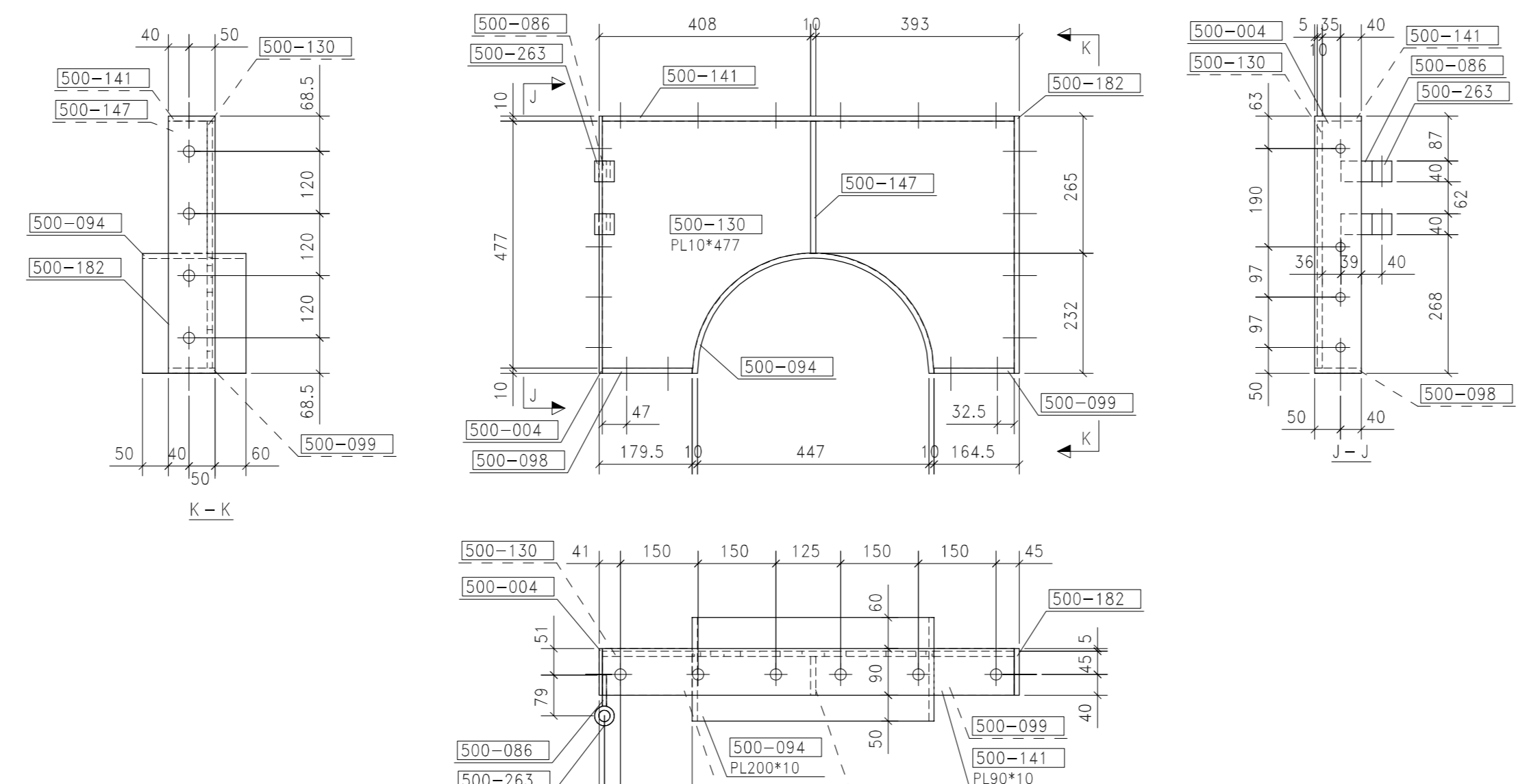
No. 1, Marked MD83



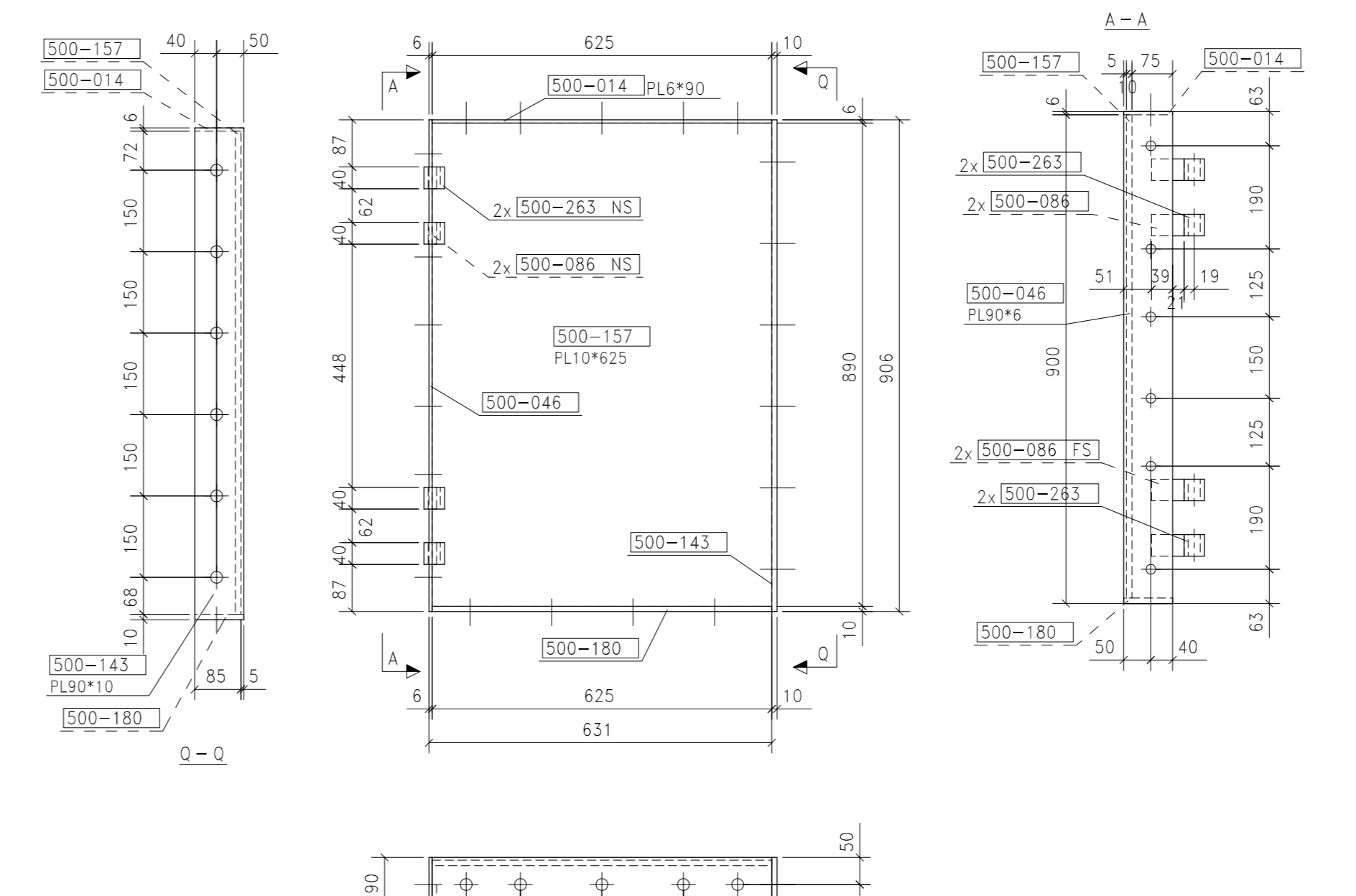
No. 1, Marked MD43



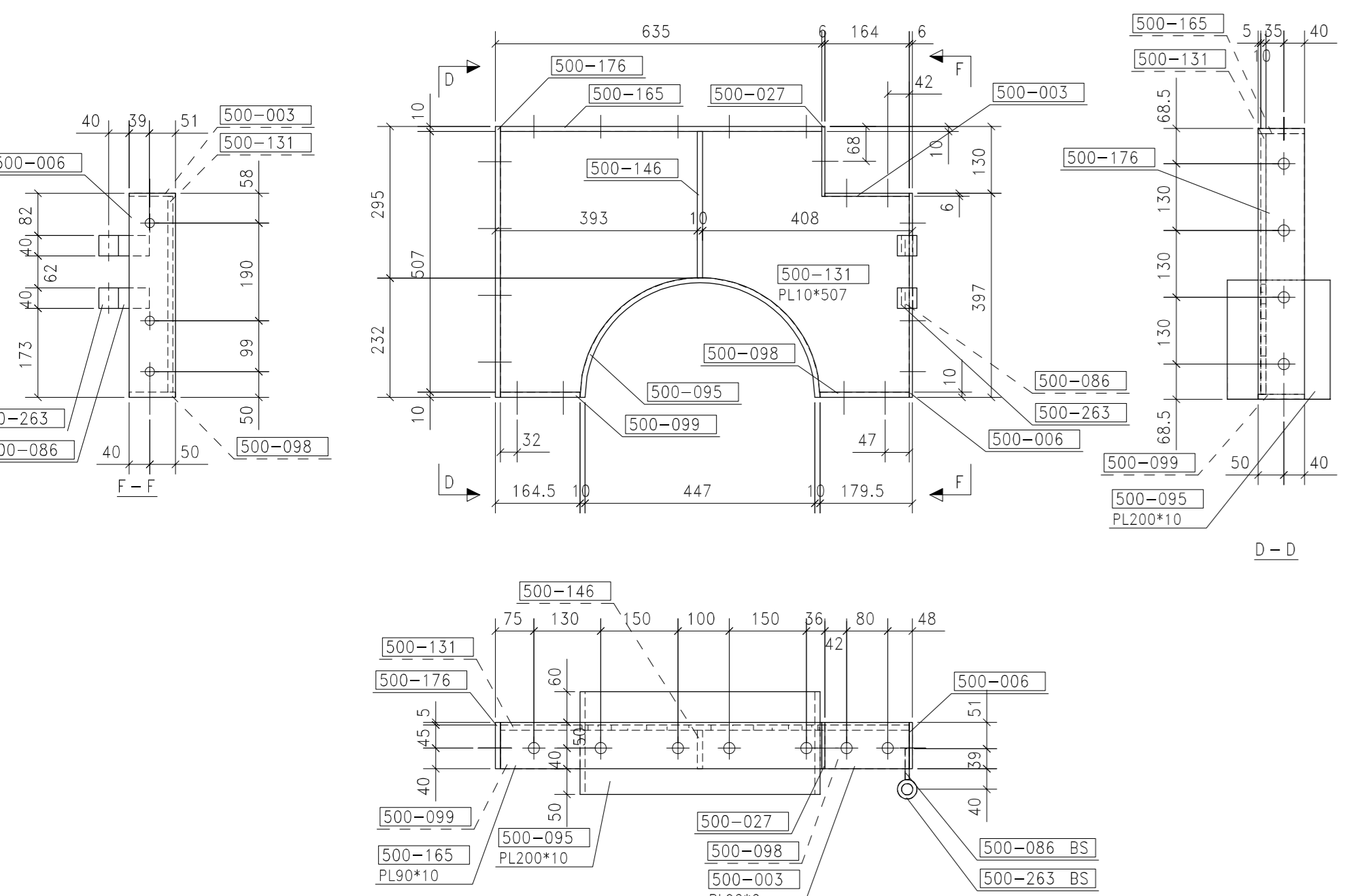
No. 1, Marked MD19



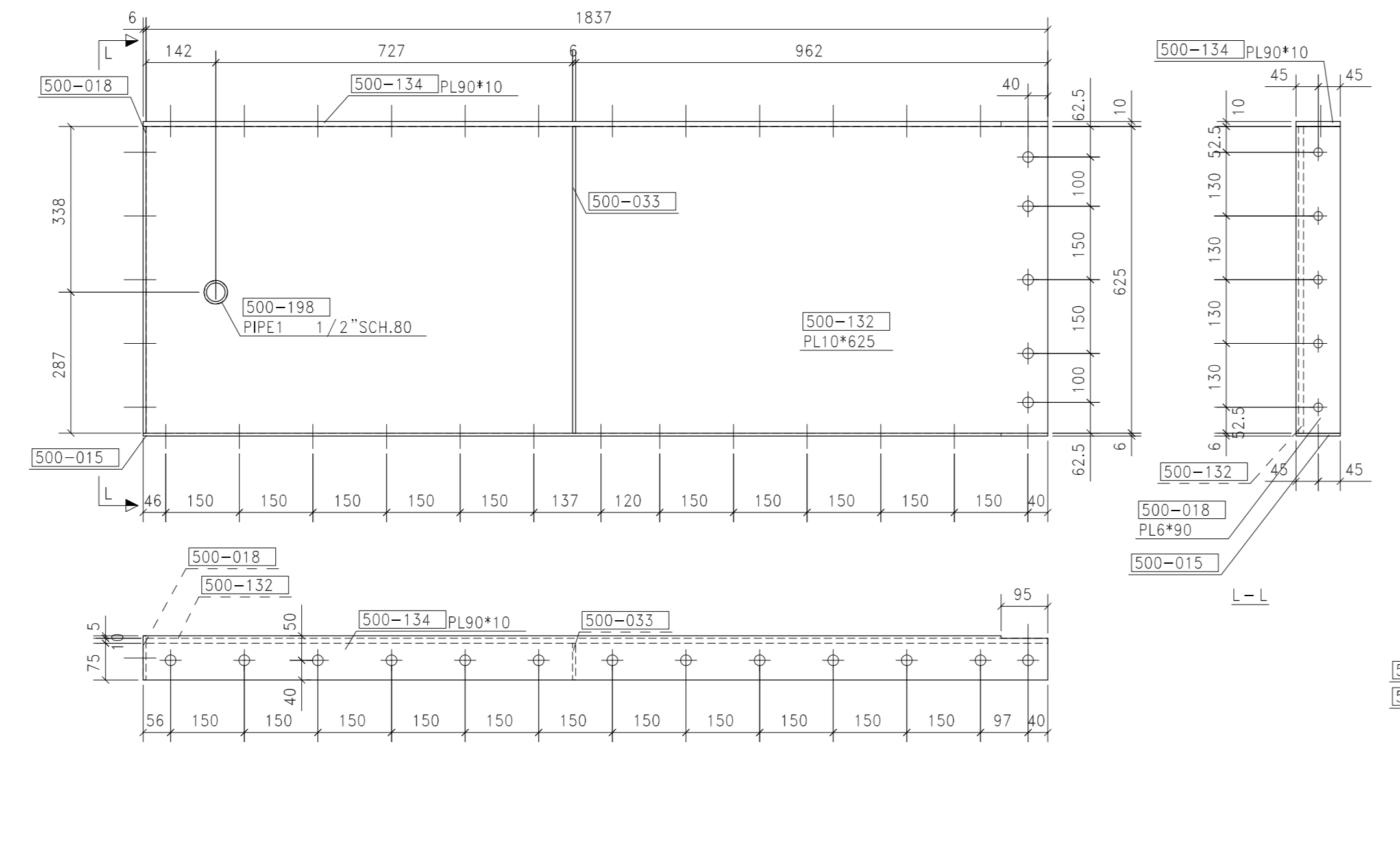
No. 1, Marked MD46



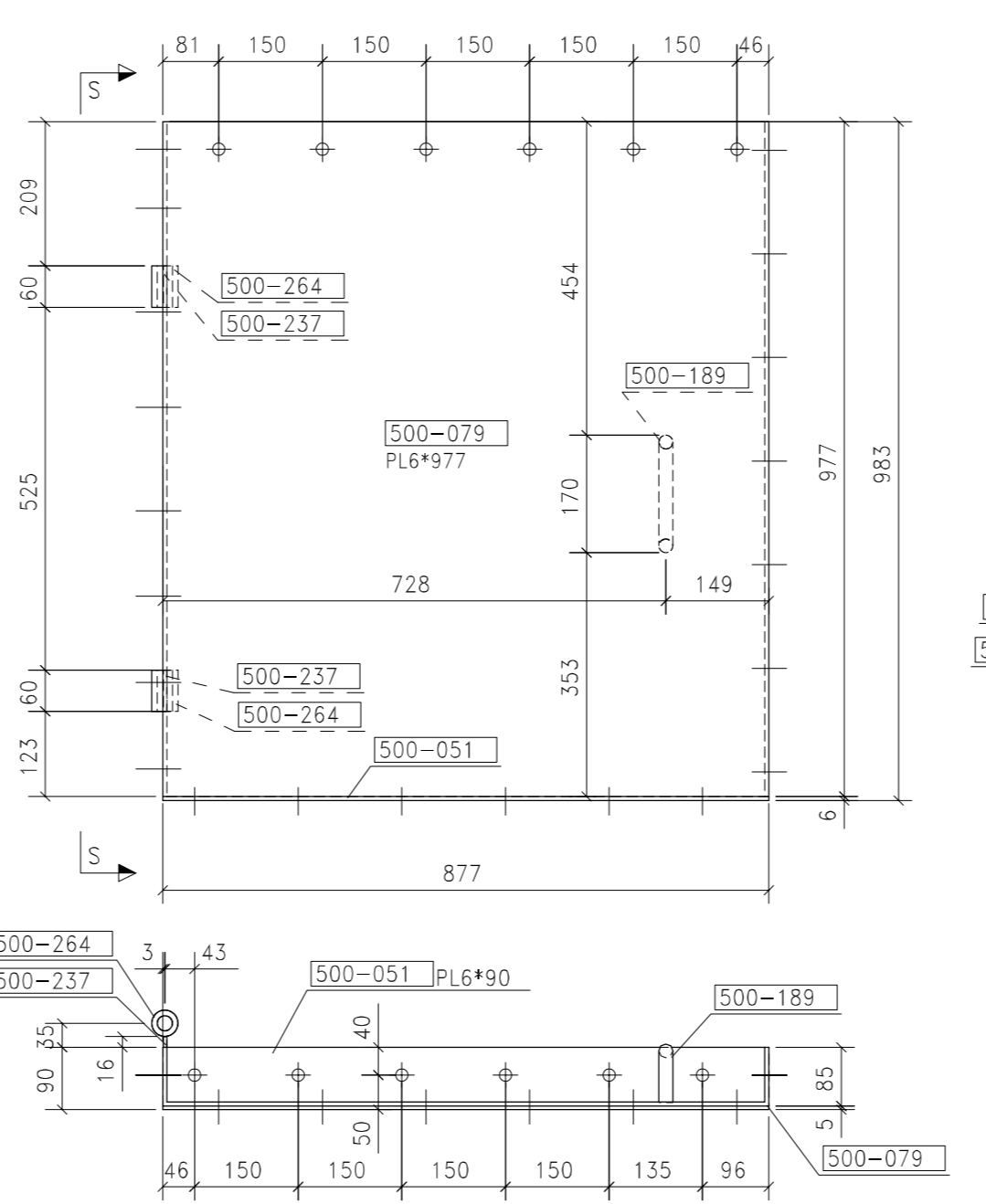
No. 1, Marked MD20



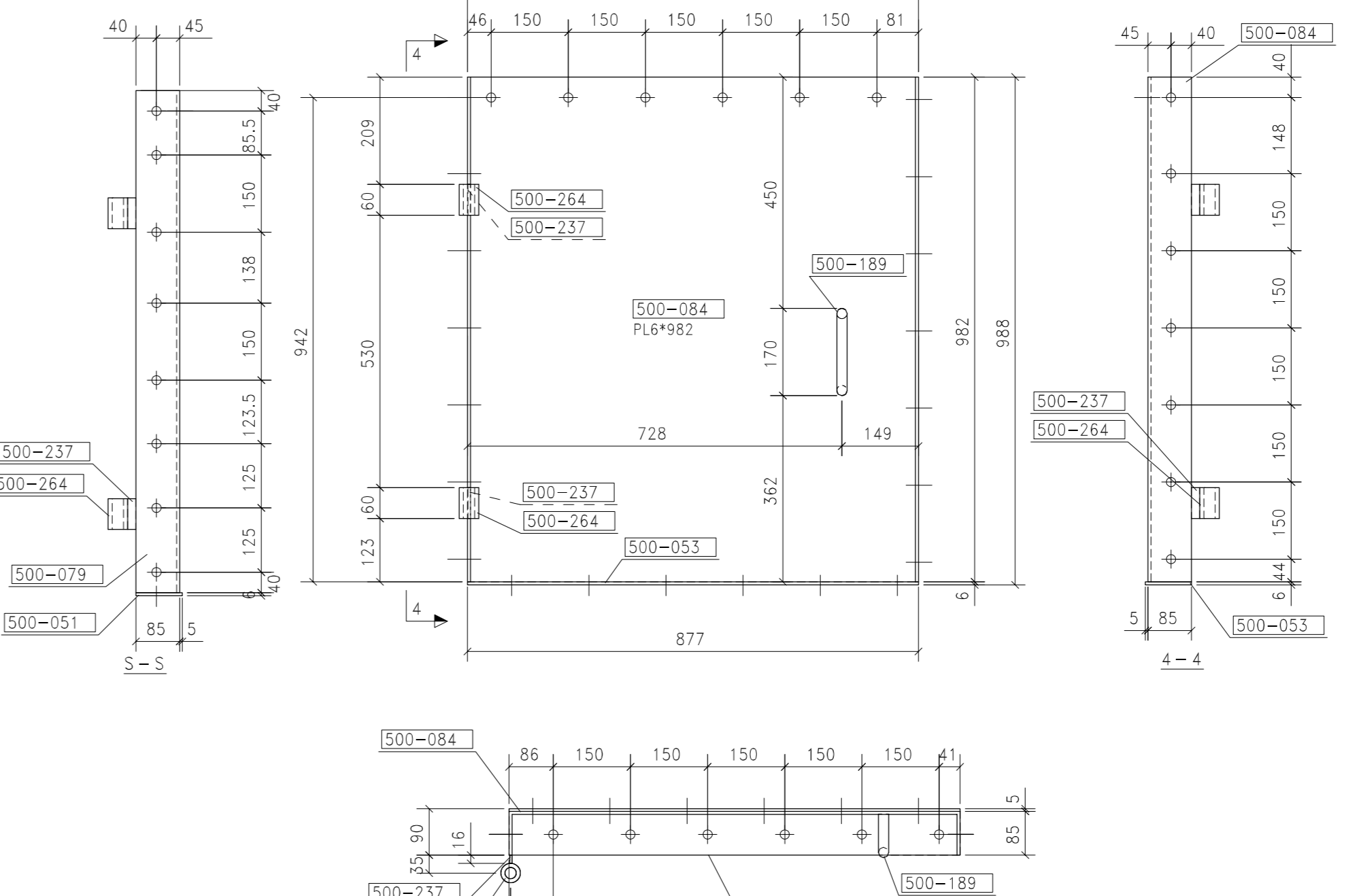
No. 1, Marked MD42



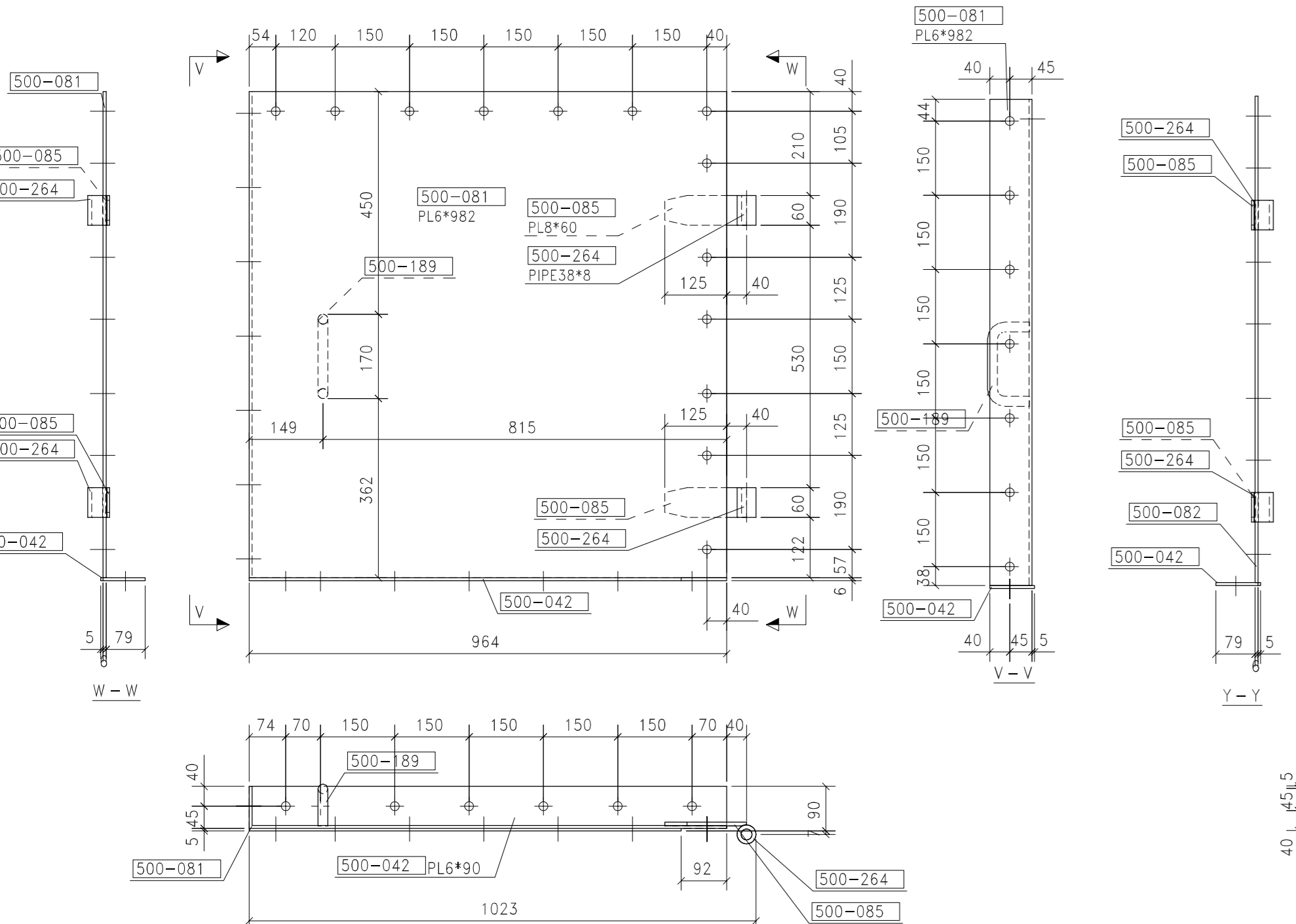
No. 1, Marked MD81



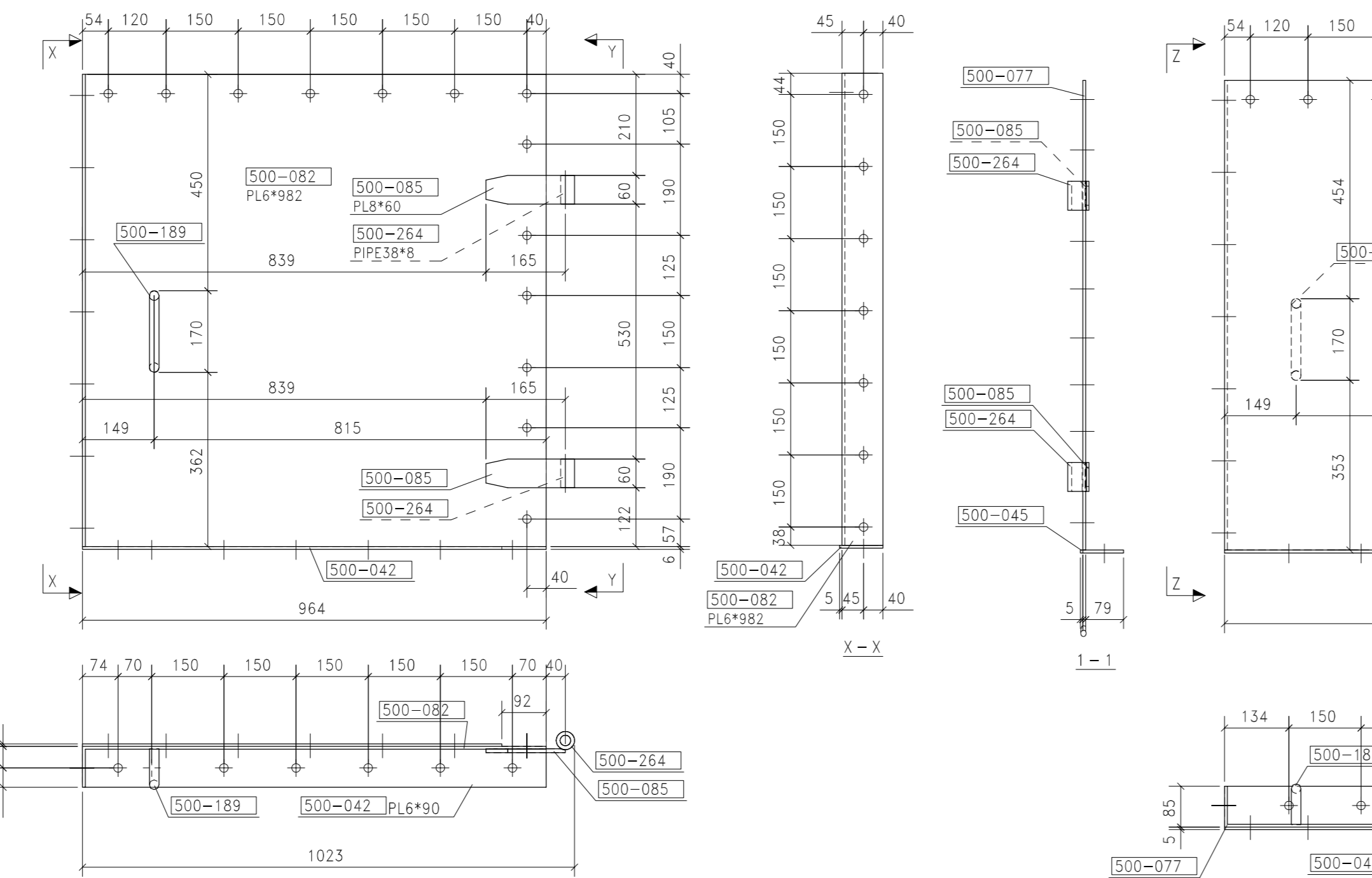
No. 1, Marked MD84



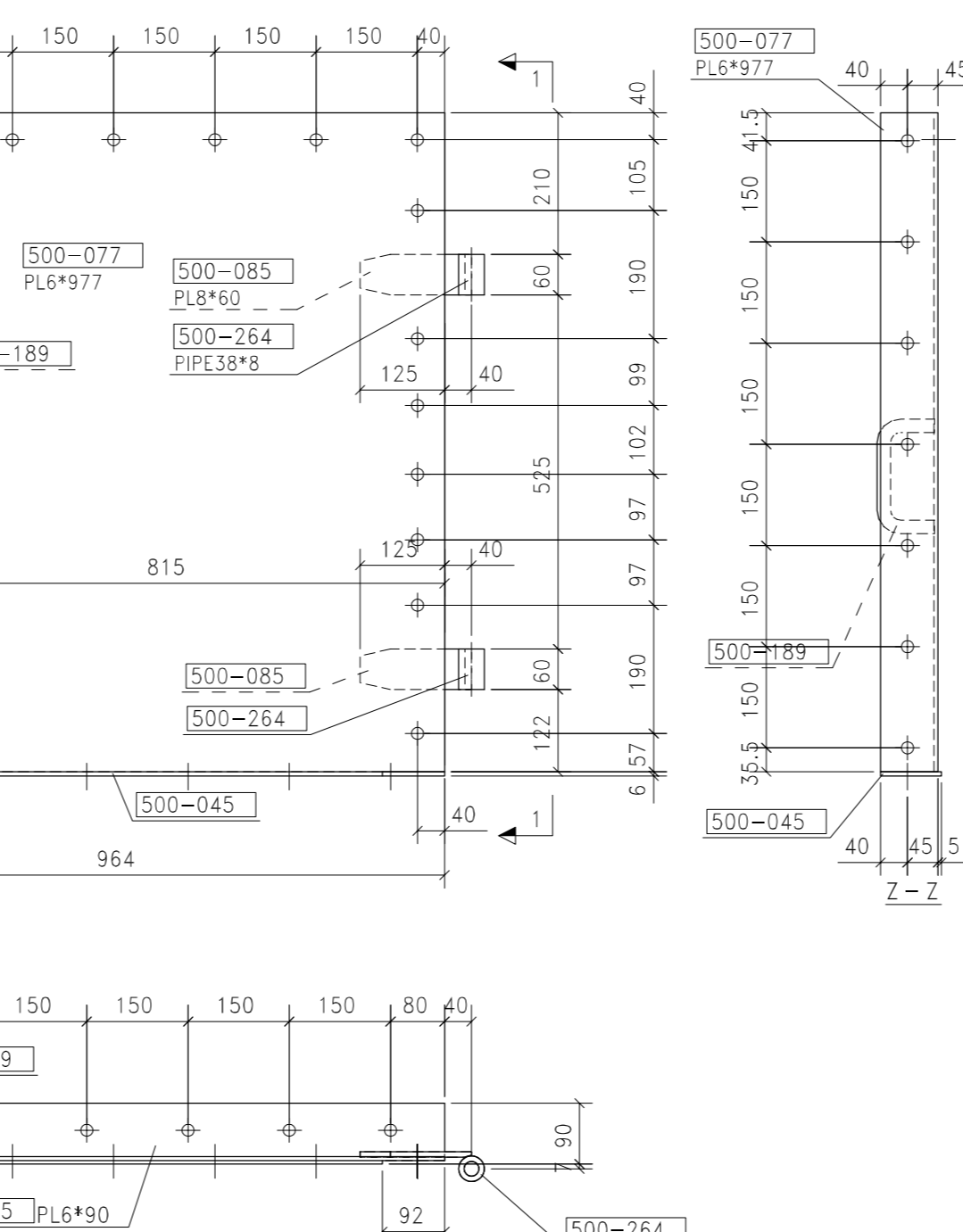
No. 1, Marked MD98



No. 1, Marked MD99



No. 1, Marked MD100



No. 1, Marked MD82

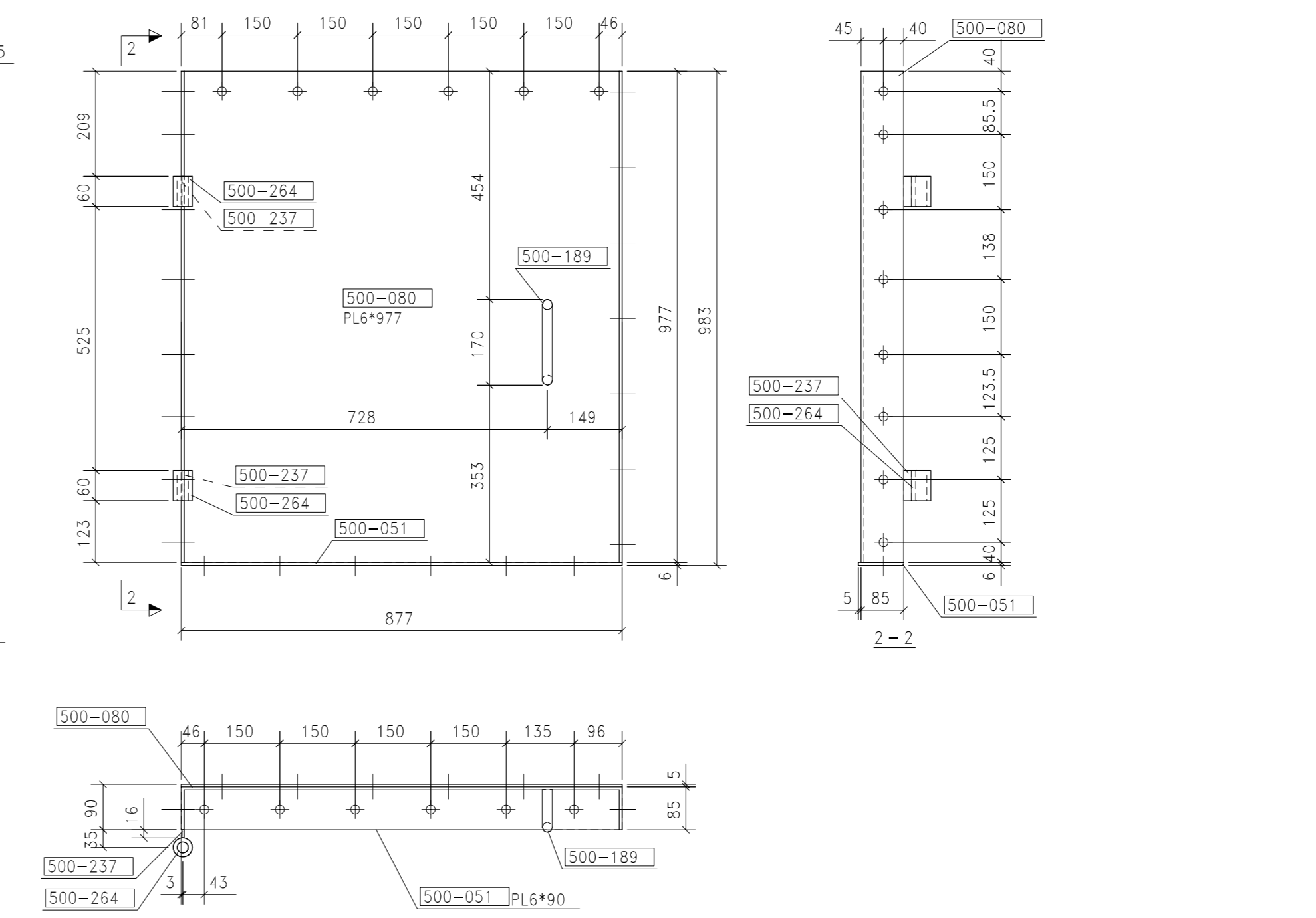


Table with columns: Marca, Descripción, Material, K, Long, and other technical specifications for various structural components.

Table with columns: Marca, Descripción, Material, K, Long, and other technical specifications for various structural components.